



**PET 50** 50 l fork type dough kneader, specially design fork arm, silent operation for all kinds of dough. Long life kneading system is made by endless screw and gear inside a powerful gearbox. Bowl, cover and fork arm made of AISI 304 stainless steel.

**PET 50-32** 50 l fork type dough kneader, specially design fork arm, silent operation for all kinds of dough. Long life kneading system is made by endless screw and gear inside a powerful gearbox. Bowl, cover and fork arm made of AISI 304 stainless steel. Two Speed enable to arrange desired kneading time.

## Specification

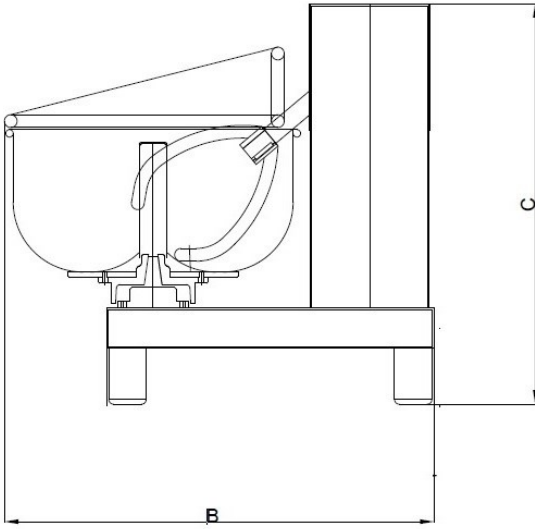
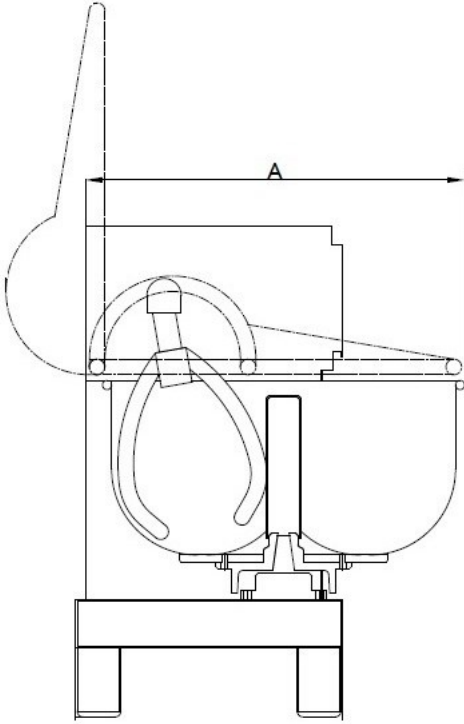
Dirmak Machinery Pet Series Fork Type mixers can knead the hardest dough with special designed gearbox system. Pet Series Dough Kneaders have all of protective equipments like emergency stop, stainless steel bowl protective cover.

## Main Features

- Pet series fork type dough kneaders are produced to meet your needs in the best way
- Homogenous and high quality kneading
- Gearbox system with endless screw and gear
- Waterproof button control panel with timer
- Silent operation
- Maximum capacity (Flour, with %60 hydration) 33 kg for bread dough.
- Easy maintenance and easy cleaning
- Safety device will automatically stop the machine when the cover opens.
- Stainless steel cover
- Stainless steel fork arm
- Bowl is placed a way of take dough easily

## Construction

- Body painted with corrosion resistant electrostatic paint.
- AISI 304 Stainless steel bowl—50 l capacity.
- Asynchronous motor with high start-up torque.
- CE approved
- Power : 0,75 kW for PET 50  
0,75-1,5 kW for PET 50-32



## Electric

### Supply Voltage :

PET 50 380-415 V/3P/50-60Hz

### Electrical Power Max. :

PET 50 0,75 kW

PET 50-32 0,75-1,5 kW

## Capacity

Flour : 17 Kg / Cycle

Dough : 27 Kg / Cycle

Meat : 33 Kg / Cycle

Capacity : 50 liters

Bowl Diameter: 500 mm

## Key Information

Depth (A) : 950 mm

Width (B) : 660 mm

Height (C) : 900 mm

Shipping Weight : 140 Kg

